



# DIMENSIONS & SPECIFICATIONS

Refrigeration 110

Cookware 114

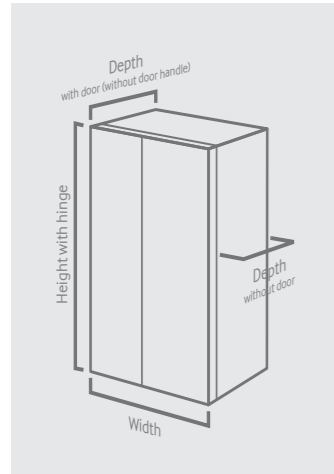
Dishwasher 118

Vacuums 119

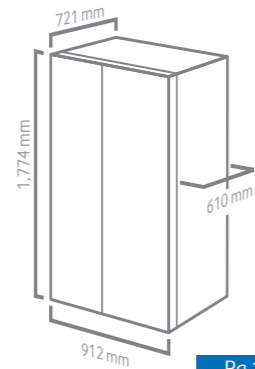
Laundry 120

## Refrigeration Dimensions

### Side by Side & French Door

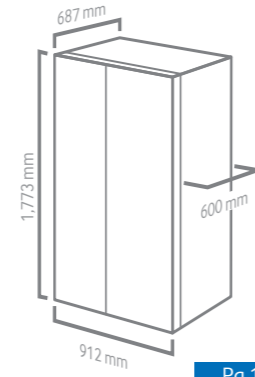


**Food Showcase Refrigerator:**  
SRS636SCLS



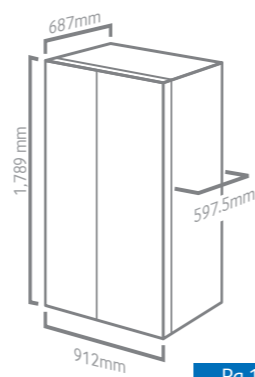
Pg 13

**G Series:**  
SRS690GDLS / SRS710GNLS



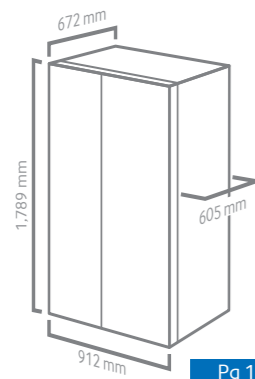
Pg 14

**HM10 Series:**  
SRS606DHLS / SRS611NLS



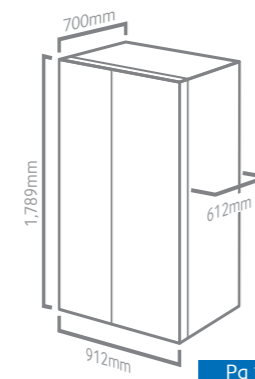
Pg 15

**HM09 SERIES:**  
SRS580DHLS



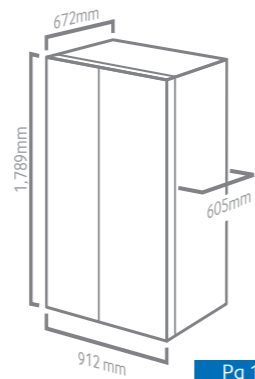
Pg 16

**Superstar:**  
SRS583NLS



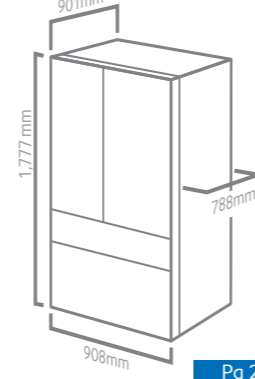
Pg 16

**ES Series:**  
SRS565DHLS / SRS584NLS



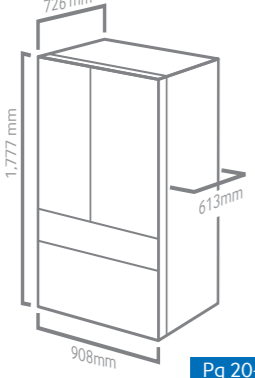
Pg 17

**AW4 4 Door French Door:**  
SRF890SWLS



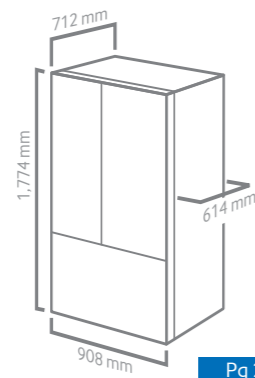
Pg 20

**AW4 Counter Depth 4 Door:**  
SRF79SWLS / SRF680CDLS



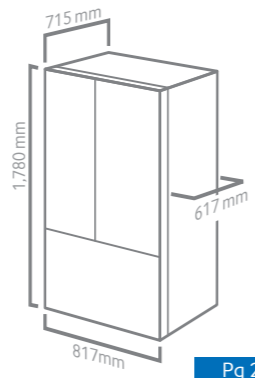
Pg 20-21

**AW2 3 Door French Door:**  
SRF639GDLS



Pg 22

**NW2 3 Door French Door:**  
SRF527DSLS

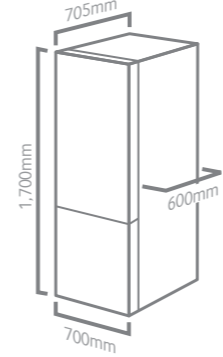


Pg 22

## Refrigeration Dimensions

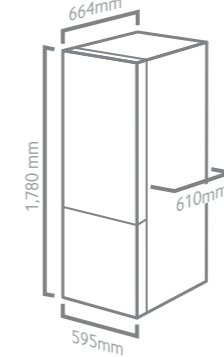
### Fridge Freezer

**Barosa Series:**  
SRL448DLS / SRL450ELS  
/ SRL449EW



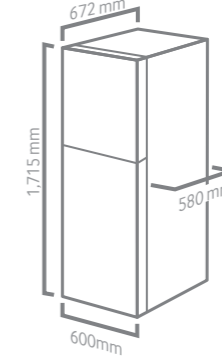
Pg 26-27

**3050 Bottom Mount:**  
SRL349MW



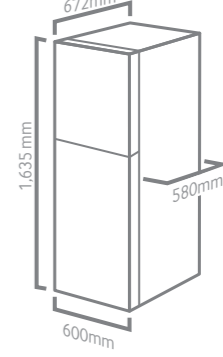
Pg 27

**3050 Top Mount:**  
SR341MLS / SR340MW



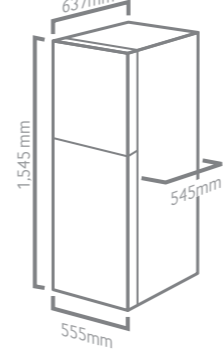
Pg 28

**3050 Top Mount:**  
SR320MLS / SR319MW



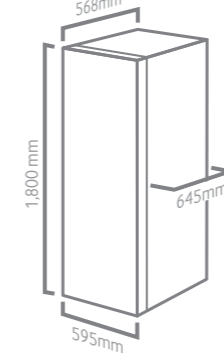
Pg 29

**3050 Top Mount:**  
SR255MLS / SR254MW



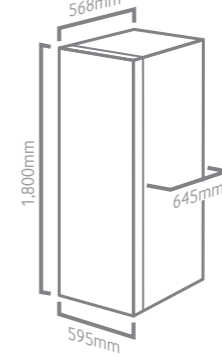
Pg 30

**Pigeon Pair:**  
SRP361RS



Pg 32

**Pigeon Pair:**  
SFP318RS



Pg 32

## Refrigeration Specifications

### Side by Side

	Colour	Capacity (Litres)	Digital Inverter Compressor	Cooling System	Multiflow	SpaceMax Technology	Smart Sensor System	Spill-Proof Shelves	Water Dispenser	Beverage Station	Moist Fresh Zone	Frost Free
<b>Showcase</b> SRS636SCLS	Refined Steel	636L	●	All-Around & Metal Cooling			●	●	Ice & Water Dispenser		●	●
<b>G Series</b> SRS690GDLS	EZ Clean Steel	690L	●	Twin Cooling Plus	●	●	●	●	Ice & Water Dispenser		●	●
<b>G Series</b> SRS710GNLS	EZ Clean Steel	710L	●	Twin Cooling Plus	●	●		●			●	●
<b>HM10 Series</b> SRS606DHLS	EZ Clean Steel	606L	●	Twin Cooling Plus	●		●	●	Ice & Water Dispenser	●	●	●
<b>HM10 Series</b> SRS611NLS	EZ Clean Steel	611L	●	Twin Cooling Plus	●		●	●	Ice & Water Dispenser		●	●
<b>HM09 Series</b> SRS580DHLS	EZ Clean Steel	580L	●	Twin Cooling	●		●	●	Ice & Water Dispenser	●	●	●
<b>Superstar</b> SRS583NLS	EZ Clean Steel	584L	●	Twin Cooling	●		●	●	Twist Ice Maker		●	●
<b>ES Series</b> SRS565DHLS	EZ Clean Steel	565L	●		●				Ice & Water Dispenser		●	●
<b>ES Series</b> SRS584NLS	EZ Clean Steel	<b>584L</b>			●			●			●	●

### French Door

	Colour	Capacity (Litres)	Digital Inverter Compressor	Cooling System	Multiflow	CoolSelect Zone	SpaceMax Technology	Smart Sensor System	Spill-Proof Shelves	Water Dispenser	Moist Fresh Zone	Frost Free
<b>AW4 4 Door French Door</b> SRF890SWLS	EZ Clean Steel	890L	●	Twin Cooling Plus	●	●	●	●	●	Ice, Water & Sparkling Water	●	●
<b>AW4 Counter Depth</b> SRF679SWLS	EZ Clean Steel	680L	●	Twin Cooling Plus	●	●	●	●	●	Ice, Water & Sparkling Water	●	●
<b>AW4 Counter Depth</b> SRF680CDLS	EZ Clean Steel	680L	●	Twin Cooling Plus	●	●	●	●	●	Ice & Water	●	●
<b>AW2 3 Door French Door</b> SRF639GDLS	EZ Clean Steel	639L	●	Twin Cooling Plus	●		●	●	●	Ice & Water	●	●
<b>NW2 3 Door French Door</b> SRF527DSLS	EZ Clean Steel	527L		Twin Cooling	●			●	●	Water Dispenser (non-pumped) & Twist Icemaker	●	●

## Refrigeration Specifications

### Fridge Freezer - Bottom Mount

	Colour	Capacity (Litres)	Digital Inverter Compressor	Multiflow	Smart Sensor System	Water Dispenser	Moist Fresh Zone	Frost Free
<b>Barosa Series</b> SRL448DLS	EZ Clean Steel	448L	●	●	●	Water Dispenser (non-pumped) & Twist Icemaker	●	●
<b>Barosa Series</b> SRL450ELS	EZ Clean Steel	450L	●	●	●	Twist Icemaker	●	●
<b>Barosa Series</b> SRL449EW	White	450L	●	●	●	Twist Icemaker	●	●
<b>3050</b> SRL349MW	White	349L	●	●			●	●

### Fridge Freezer - Top Mount

	Colour	Capacity (Litres)	Digital Inverter Compressor	Multiflow	Spill-Proof Shelves	Water Dispenser	Moist Fresh Zone	Frost Free
<b>3050</b> SR341MLS	EZ Clean Steel	341L	●	●	●	Twist Icemaker	●	●
<b>3050</b> SR340MW	White	341L	●	●	●	Twist Icemaker	●	●
<b>3050</b> SR320MLS	EZ Clean Steel	320L	●	●	●	Twist Icemaker	●	●
<b>3050</b> SR319MW	White	320L	●	●	●	Twist Icemaker	●	●
<b>3050</b> SR255MLS	EZ Clean Steel	255L	●	●	●	Twist Icemaker	●	●
<b>3050</b> SR254MW	White	255L	●	●	●	Twist Icemaker	●	●

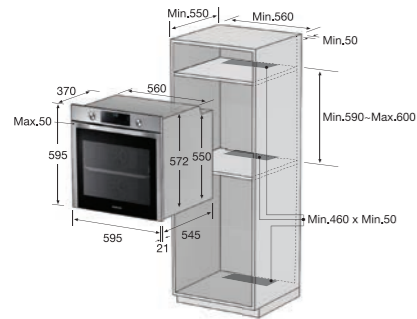
### Fridge Freezer

	Colour	Capacity (Litres)	Digital Inverter Compressor	Multiflow	Twist Icemaker	Frost Free
<b>Pigeon Pair Fridge</b> SRP361RS	Refined Steel	361L	●	●		
<b>Pigeon Pair Freezer</b> SFP318RS	Refined Steel	318L	●	●	●	●

# Install Guide & Dimensions

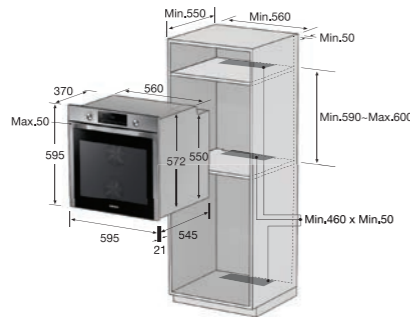
## Cookware

**Neo Dual Cook:**  
NV70F7796MS / NV70F7786HS



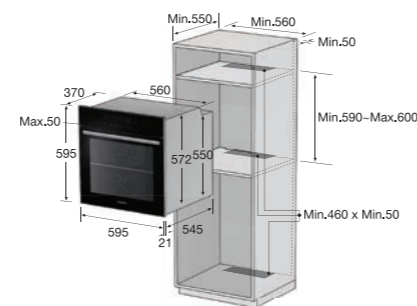
Pg 41

**Neo Dual Fan:**  
NV70F7584DS



Pg 42

**Twin Convection Series:**  
BQ1Q4T102



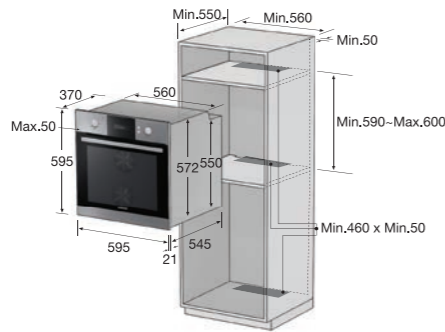
Pg 42

**Twin Convection Series:**  
BQ1D4T081



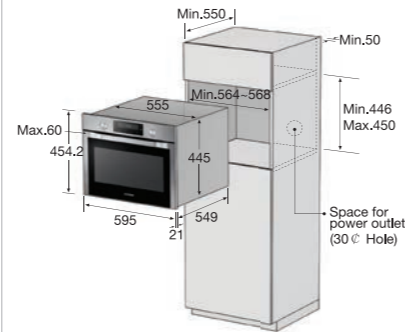
Pg 43

**Dual Fan Series:**  
BF1N4T015



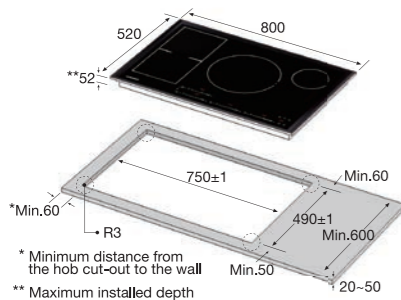
Pg 44

**Neo Microwave Combi Compact Oven:**  
NQ50C7535DS / NQ50C7935ES



Pg 44-45

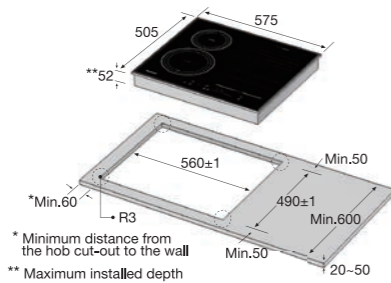
**80cm Induction Hob:**  
NZ84F7NC6AB



\* Minimum distance from the hob cut-out to the wall  
\*\* Maximum installed depth

Pg 50

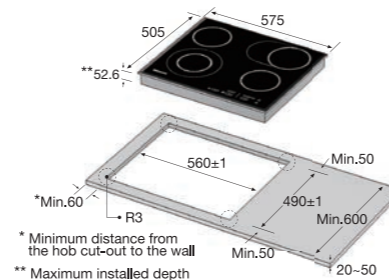
**Induction Hob:**  
CTN464NC01 / CTN46FB01



\* Minimum distance from the hob cut-out to the wall  
\*\* Maximum installed depth

Pg 50-51

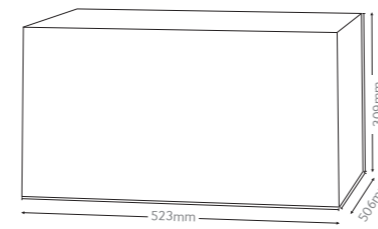
**Ceramic Hob:**  
CTR164NC01



\* Minimum distance from the hob cut-out to the wall  
\*\* Maximum installed depth

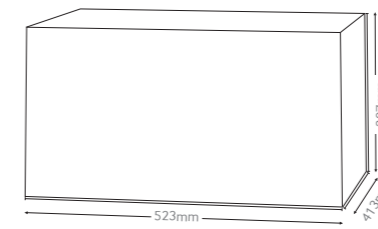
Pg 51

**Cello Slim Fry:**  
MC32F6C6TCT/SA



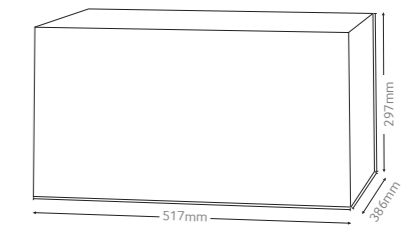
Pg 55

**Cello:**  
MS34F602MATT/SA



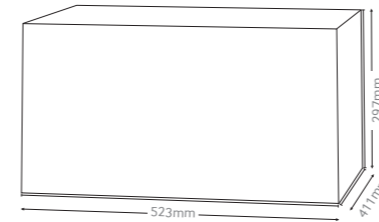
Pg 55

**Big Plus:**  
ME1113TST1 / ME1113TW1



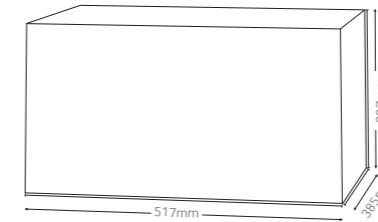
Pg 56

**Latin:**  
ME6124ST-1 / ME6124W-1



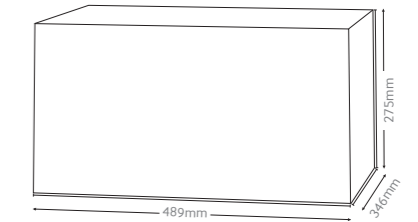
Pg 56

**Latin 1.0:**  
ME6104ST1 / ME6104W1



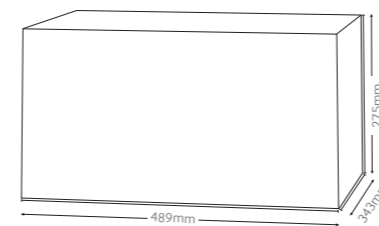
Pg 57

**Dream:**  
ME83D-1W



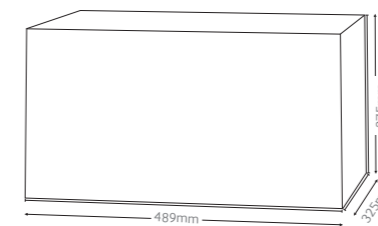
Pg 57

**Soft 1:**  
ME732K



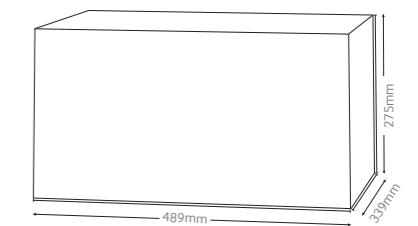
Pg 58

**Marimba:**  
ME73M



Pg 58

**Marimba:**  
ME83M



Pg 59

## Cookware Specifications

### Electric Oven

	Twin Convection™	Professional Cooking Mode	Dual Fan	Twin LED Display	Spacious Interior	Speed Cook	Keep Warm	Plate Warm
<b>NEO Dual Cook</b> NV70F7796MS	●	●		●	●		●	●
<b>NEO Dual Cook</b> NV70F7786HS	●	●		●	●		●	●
<b>NEO Dual Fan</b> NV70F7584DS		●	●		●		●	●
<b>Twin Convection Series</b> BQ1Q4T102	●			●				
<b>Twin Convection Series</b> BQ1D4T081	●			●				
<b>Dual Fan Series</b> BF1N4T015			●					
<b>Neo Dual Steam Compact Oven</b> NQ50C7935ES		●	●					
<b>Neo Microwave Combi Compact Oven</b> NQ50C7535DS		●	●			●		

### Electric Oven Continued

	Pop Out Dial	Fast Preheating	Rotisserie	Telescopic Rack	Auto Menu	Child Lock	Cool Door	Clean	Dual Steam
<b>NEO Dual Cook</b> NV70F7796MS	●	●	●	●	40	●	●	Pyrolytic & Steam Clean	
<b>NEO Dual Cook</b> NV70F7786HS	●	●		●	40	●	●	Catalytic & Steam Clean	
<b>NEO Dual Fan</b> NV70F7584DS	●	●		●	25	●	●	Catalytic & Steam Clean	
<b>Twin Convection Series</b> BQ1Q4T102	●	●	●	●	25	●	●	Pyrolytic & Steam Clean	
<b>Twin Convection Series</b> BQ1D4T081	●	●		●	15	●	●	Catalytic & Steam Clean	
<b>Dual Fan Series</b> BF1N4T015	●	●				●	●	Catalytic Clean	
<b>Neo Steam Combi Compact Oven</b> NQ50C7935ES	●	●			16	●	●	Steam Clean	●
<b>Neo Microwave Combi Compact Oven</b> NQ50C7535DS	●	●			40	●	●	Steam Clean	

### Induction & Ceramic Hob

	Any Dish Zone	Slide Touch Control	Keep Warm Function	Safe Operation	Overflow Detection	Automatic Safety Lock	Dual Zone	Residual Heat Indicators	Ceramic Surface	Easy to Clean	Multi-Purpose Zone / Dual Zone
<b>80cm Induction Hob</b> NZ84F7NC6AB	●	●		●	●	●		●	●	●	
<b>Induction Hob</b> CTN464NC01	●	●	●	●	●	●		●	●	●	
<b>Induction Hob</b> CTN464FB01		●	●	●	●	●			●	●	
<b>Ceramic Hob</b> CTR164NC01						●	●	●	●	●	●

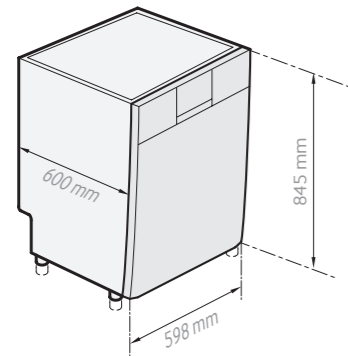
### Microwave

	Ceramic Inside	Anti-Bacterial Protection	High Scratch Resistance	Triple Distribution System	Slim Fry	Dough Proof/Yoghurt	Smart Multi Sensor
<b>Cello Slim Fry Microwave Oven</b> MC32F6C6TCT/SA	●	●	●		●	●	●
<b>Cello Microwave Oven</b> MS34F602MAT/SA	●	●	●				●
<b>Big-Plus</b> ME1113TST1 (silver)	●	●	●	●			●
<b>Big-Plus</b> ME1113TW1 (white)	●	●	●	●			●
<b>Latin</b> ME6124ST-1 (silver)	●	●	●	●			●
<b>Latin</b> ME6124W-1 (white)	●	●	●	●			●
<b>Latin 1.0</b> ME6104ST1 (silver)	●	●	●	●			●
<b>Latin 1.0</b> ME6104W1 (white)	●	●	●	●			●
<b>Dream</b> ME83D-1W	●	●	●	●			●
<b>Soft 1</b> ME732K	●	●	●	●			●
<b>Marimba</b> ME73M	●	●	●	●			●
<b>Marimba</b> ME83M	●	●	●	●			●

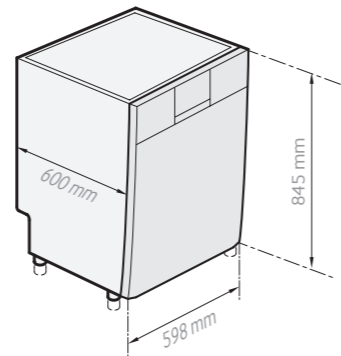
## Install Guide & Dimensions

### Dishwasher

**Waterfall:**  
DW9000H / DW9950FS / DW9950FW



**Dishwasher Series**  
DW-FG725L / DW-FG520L / DW-FG520W



Pg 63-64

## Dishwasher Specifications

### Dishwashers

	Waterwall™	Flex Tray	Zone Booster	Ergonomic Design	Speed Boost	Auto Open Door	Storm Wash	Flex Half Wash	Adjustable Upper Basket	Big Dish Loading	Removable Cutlery Tray	Sanitise Option	EZ-Clean Steel
DW9000H	●	●	●	●	●	●				●		●	
DW9950FS	●	●	●		●	●				●		●	
DW9950FW	●	●	●		●	●				●		●	
DW-FG725L							●	●	●	●	●	●	●
DW-FG520L								●	●	●		●	●
DW-FG520W								●	●	●		●	

## Vacuum Specifications

### Bagless & Bagged Vacuums

	Motion Sync Design	CycloneForce Multi	Dust Sensor Light	Washable Filter	Remote Control Handle	Easy to Empty Dustbin	Extreme Force Brush	Built In Handle	Cyclone Force	Choice of Accessories	Air Cushion Protector
<b>Motion Sync Canister Bagless</b> SC20F70HC	●	●	●	●	●	●	●	●			
<b>Canister Bagless</b> SC21F50HD				●	●	●	●		●	●	
<b>Canister Bagged</b> SC2160JD					●		●			●	●

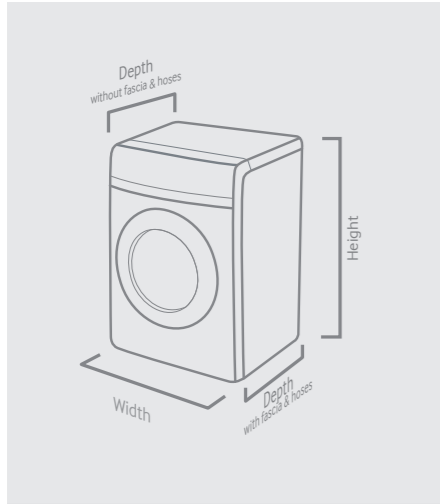
### Robot Cleaners

	Visionary Mapping System	Pet Hair Cleaning	Dust Awareness Sensor	Digital Inverter	Cyclone Force	Point and Clean	Virtual Guard	Weekly Scheduling	Auto Charge Function	Smooth Climbing Wheels	Auto Dust Empty
<b>Power Robot</b> VR20H9050U	Plus	●	●	●	●	●	1	●	●	●	
<b>Navibot-S Robot</b> SR8980	Plus	●	●				2	●	●	●	●
<b>Navibot-Light Robot</b> SR8751	●	●						●	●		

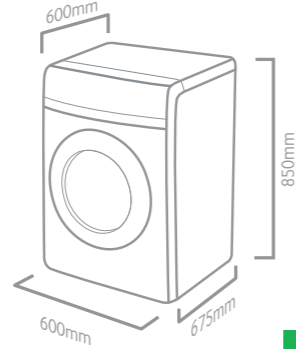


# Install Guide & Dimensions

## Laundry

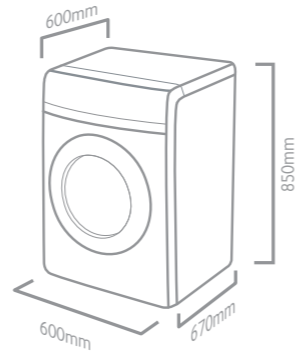


**WW9000 9kg / WW8000 10kg / WW7000 8.5kg:**  
**WW90H9600EW/SA**  
**WW10H8430EW/SA**  
**WW85H7410EW/SA**



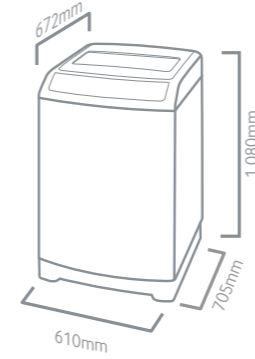
Pg 77-78

**WW5000 8.5kg / WW5000 7.5kg / WW5000 7.5kg:**



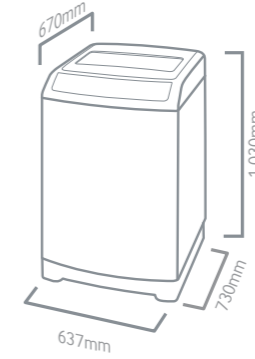
Pg 79-80

**Double Bay 7kg:**  
**WA70F5G**



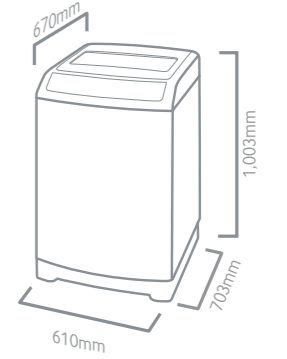
Pg 89

**3050 8.5kg:**  
**WA85F75**



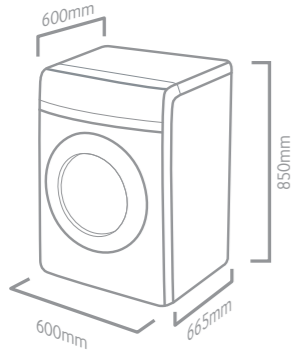
Pg 90

**3050 7.5kg:**  
**WA75F5S**



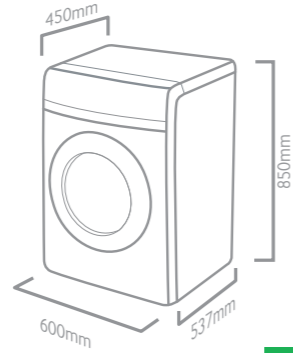
Pg 90

**Arno 10kg:**  
**WF1104XAC**



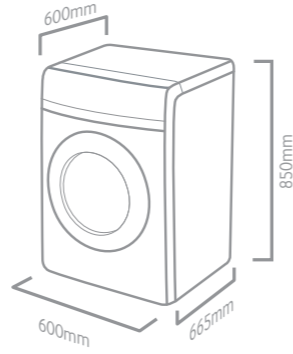
Pg 82

**Volga 7kg:**  
**WF1702XEC/XSA**



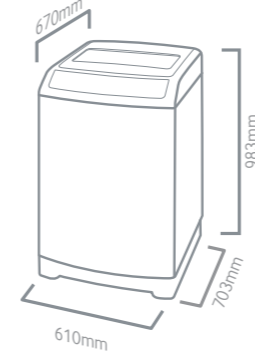
Pg 82

**Scout Combo:**  
**WD0754W8E**



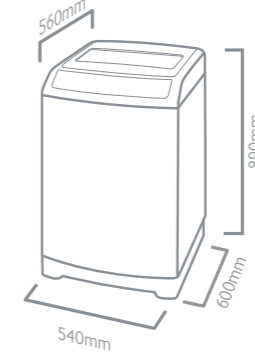
Pg 83

**3050 6.5kg:**  
**WA65F5S**



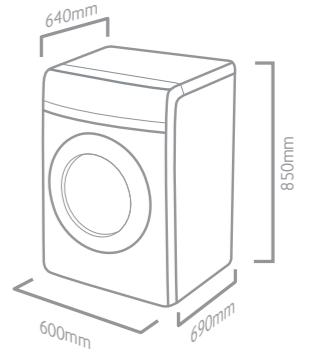
Pg 92

**WA4000 5.5kg:**  
**WA55H400**



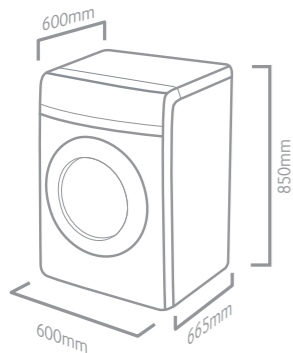
Pg 92

**DV8000 9kg:**  
**DV90H8000HW/SA**



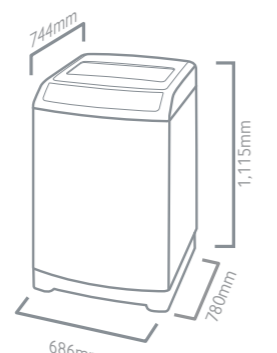
Pg 96

**Seine Combo:**  
**WD856UHS**



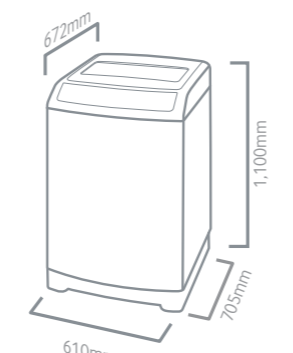
Pg 83

**WA7000 10kg:**  
**WA10H7200GW**



Pg 88

**Double Bay 8kg:**  
**WA80F5G**



Pg 88

## Laundry Specifications

### Front Loader

	Digital Inverter Motor	Bubble Wash™	Diamond Drum	VRT	Smart Check	Drum Clean	Full Touch Screen	Quickwash	Smart Control	Prefer Mode	My Cycle	Auto Optimal Wash	Max Spin Speed (RPM)
<b>WW9000 9kg</b> WW90H9600EW/SA	●	●	Swirl Drum	VRT-M	●	●	●	Super Speed	●	●		●	1600
<b>WW8000 10kg</b> WW10H8430EW/SA	●	●	Swirl Drum	VRT Plus™	●	●		●		●			1400
<b>WW7000 8.5kg</b> WW85H7410EW/SA	●	●	Swirl Drum		●	●		●		●			1400
<b>WW5000 8.5kg</b> WW85H5400EW/SA	●	●	●		●	●		●			●		1400
<b>WW5000 7.5kg</b> WW75H5400EW/SA	●	●	●		●	●		●			●		1400
<b>WW5000 7.5kg</b> WW75H5290EW/SA		●	●		●	●		●			●		1200
<b>Arno 10kg</b> WF1104XAC	●	●	●	VRT Plus™		●		●			●		1400
<b>+ Volga 7kg</b> WF1702XEC/XSA	●		●	VRT Plus™		●		●			●		1200

### Top Loader

	Digital Inverter Motor	PowerJet™	Diamond Drum	Double Storm	Mist Shower	Magic Filter	Air Turbo Drying System™	Smart Check	EZ-Close Lid	Aqua Plus	Tub Clean	Dual Cluster Panel	Tempered Glass Window	Max Spin Speed (RPM)
<b>WA7000 10kg</b> WA10H7200GW	●	●	●		●	●		●	●		●			800
<b>Double Bay 8kg</b> WA80F5G	●		●	●	●	●		●		●	●			720
<b>Double Bay 7kg</b> WA70F5G	●		●	●	●	●		●		●	●	●		720
<b>3050 8.5kg</b> WA85F7S	●		●	●		●	●	●			●	●	●	720
<b>3050 7.5kg</b> WA75F5S	●		●	●		●	●	●			●	●	●	720
<b>3050 6.5kg</b> WA65F5S			●	●		●	●				●	●		700
<b>WA4000 5.5kg</b> WA55H4000			●	●		●						●	●	700

### Dryer & Combo

	Digital Inverter Motor	Bubble Wash™	Diamond Drum	6 Star Energy Rating	Smart Check	Air Wash	Drum Clean	Heater	Condenser Dryer	15min Quickwash	My Cycle	Filter Clean Alarm	Water Tank Indicator	Wool Care	Max Spin Speed (RPM)
<b>Scout Combo 7.5kg - Washer Dryer</b> WD0754W8E	●	●	●			●	●	●	●	●	●				1400
<b>Seine Combo Washer Dryer</b> WD856UHSAWQ	●	●	●			●	●	●	●	●	●				1400
<b>DV8000 9kg Dryer</b> DV90H8000HW/SA			Swirl Drum	●	●							●	●	●	